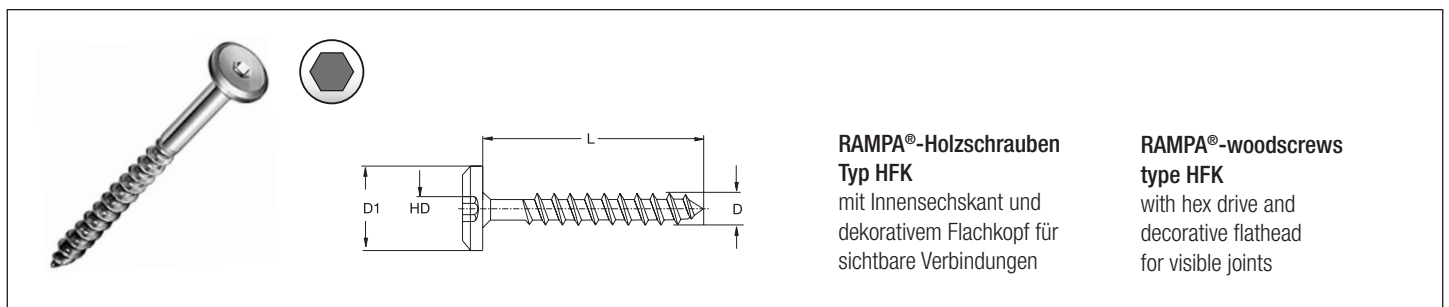


RAMPA®-Treppenbauschrauben **RAMPA®-staircase wood screws type TKH**
 mit Holzgewinde Ø 10,5 mm with wood thread Ø 10,5 mm

| TKH | | | | | | Vorbohrung Pilot hole | Stahl verzinkt Steel zinc plated 4.8 |
|-------------|----|----------|-----|----|------|--------------------------|--|
| Art. | D1 | SW HD | L | L1 | D | | |
| 349 070 001 | 30 | 6 | 70 | 55 | 10,5 | 7,5 – 9,0 | • |
| 349 090 001 | 30 | 6 | 90 | 55 | 10,5 | 7,5 – 9,0 | • |
| 349 100 001 | 30 | 6 | 100 | 60 | 10,5 | 7,5 – 9,0 | • |
| 349 115 001 | 30 | 6 | 115 | 75 | 10,5 | 7,5 – 9,0 | • |
| 349 125 001 | 30 | 6 | 125 | 85 | 10,5 | 7,5 – 9,0 | • |
| 349 150 001 | 30 | 6 | 150 | 90 | 10,5 | 7,5 – 9,0 | • |
| 349 180 001 | 30 | 6 | 180 | 90 | 10,5 | 7,5 – 9,0 | • |

Hinweis:
 Zur flächenbündigen Montage
 müssen Sie das Bohrloch ggf. ansenken

Please note:
 for best results when flush mounting
 pre-drilling hole with countersink is recommended



RAMPA®-Holzschrauben
Typ HFK
 mit Innensechskant und
 dekorativem Flachkopf für
 sichtbare Verbindungen

RAMPA®-woodscrews
type HFK
 with hex drive and
 decorative flathead
 for visible joints

| HFK | | | | | | Vorbohrung Pilot hole | Stahl verzinkt Steel zinc plated | Stahl vernickelt Steel nickel plated | Stahl vermessingt Steel brass plated |
|-------------|----|----------|-----|-----|---|--------------------------|---|--|---|
| Art. | D1 | SW HD | L | D | | | | | |
| 303 650 ___ | 15 | 4 | 50 | 6,3 | 5 | • | • | | |
| 303 660 ___ | 15 | 4 | 60 | 6,3 | 5 | • | | • | |
| 303 670 ___ | 15 | 4 | 70 | 6,3 | 5 | • | • | | |
| 303 690 ___ | 15 | 4 | 90 | 6,3 | 5 | • | | | |
| 303 601 ___ | 15 | 4 | 110 | 6,3 | 5 | • | | | |

Hinweis:
 Zur flächenbündigen Montage
 müssen Sie das Bohrloch ggf. ansenken

Please note:
 for best results when flush mounting
 pre-drilling hole with countersink is recommended

Bitte ergänzen / Please complete

001

003

004