

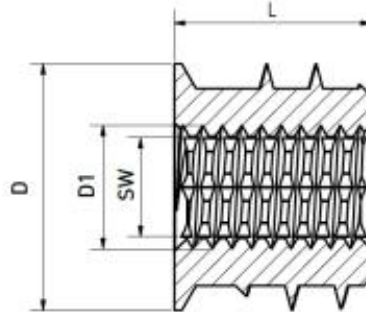
RAMPA®

Good idea. Let's make it!

Inserts | Knock-in inserts | Dowel nuts | Cross dowels | Screws | Tools

RAMPA®-Inserts type SKD30K

RAMPA inserts type SKD30K with sealing collar, hex drive, unthreaded lead and patented 1-start external thread contour for simplified assembling in wood and wood-based materials. The insertion aid type 50641001 is recommended for better processing.



Article number	Outside-Ø [mm]	Length [mm]	Internal thread [mm]	Wrench size [mm]	Pre-drilling Ø (recommendation) [mm]	Material
437508001	10	8	M5	4.1	8.5-9.0	Steel zinc plated (blue passivated)

RAMPA GmbH & Co. KG

Auf der Heide 8 | 21514 Büchen | Germany | Tel. +49 (0) 4155 8141-601 | Fax +49 (0) 4155 8141-80 | mail@rampa.com

www.rampa.com

